

**Best lifting performance**

- High Performance lifting capacity
- High maximum reach capacity

Best Precision and user comfort

- Full hydrostatic transmission for more comfort and productivity
- Smooth boom design with everything inside for best side visibility
- Dangerous movements cut out switch

Compact and Strong

- 5 m Length
- Tilt corrector as standard



Placing height : 9,8 m

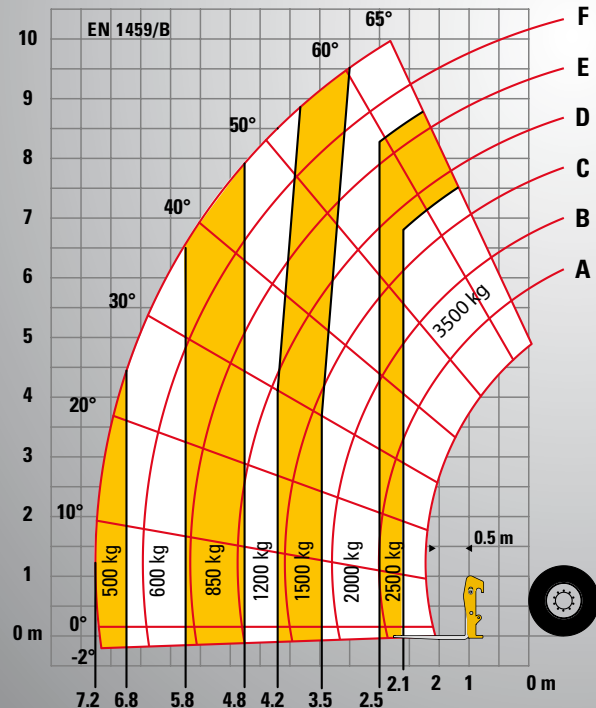
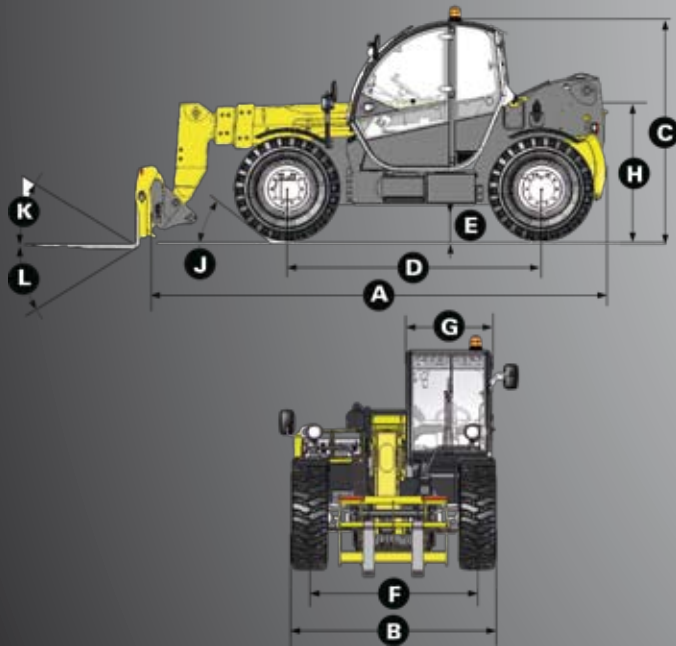
Maximum lift capacity :
3500 kg
Haulotte 
GROUP

More than lifting

HTL 3510

Placing height : 9,8 m
Maximum lift capacity : 3500 kg

TELEHANDLER



PERFORMANCES

Maximum lift capacity	3500 kg
Lift capacity to full height	2000 kg
Lift capacity at full reach	500 kg
Maximum fork height	9.8 m
Reach at maximum fork height	2.2 m
Maximum forward reach	7.2 m

DIMENSIONS

A - Length	4.96 m
B - Width	2.26 m
C - Height	2.42 m
D - Wheelbase	2.78 m
E - Ground clearance	42 cm
F - Track width	1.88 m
G - Cab width	0.96 m
H - Height to high boom pivot	1.6 m
J - Approach angle	30 °
K - Upper rotation of forks	18 °
L - Lower rotation of forks	104 °
Turning radius (outside wheels)	3.7 m
Weight with forks	8500 kg
Tyres type	405/70 - 24

ENGINE

Engine model	Perkins 1104
Engine Capacity	4400 cm3
Engine power output	70 kW / 95 CV
Engine torque	392 Nm
Transmission type	Hydrostatic
Fuel tank	120 l
Engine oil	103 l

STANDARD EQUIPMENT

- Heavy duty Hydrostatic transmission with variable capacity pump and engine
- 4 wheel drive and steer
- Fuel filter with water separator
- Gear equipment pump
- Electrically hydraulic controls
- Proportional controls for movement of boom/telescopic arm/ excavation and accessories
- Safety valves on hydraulic jacks
- Auxilliary hydraulic ports
- Overload/dangerous movements cut out switch
- Tilt corrector: +/- 10 °
- ROPS/FOPS cabin with heating and ventilation

OPTIONS AND ACCESSORIES

- Cold Weather Package
- Biodegradable oil
- Cold environment oil
- Hot environment oil
- Air conditioning
- Working lights
- 4-in-1 bucket and standards
- Jib attachment and winch

